

Technical Data Sheet Type 2/292



Type 2/292

- 3/2-way pressure operating valve
- NC - Valve normally closed (as standard)
- NO - Valve normally open (as option)
- UN - Universal design (as option)

Direct pressure controlled valve. The valve seat is opened against a spring force via the control medium.

■ **Valve for clean, gaseous and liquid media**

TECHNICAL SPECIFICATIONS

Type of control	Direct pressure operated
Design	Poppet design
Connection	Threaded G1/4 DIN ISO 228/1
Installation	Preferable with actuator upright
Pressure	0 - 80 bar (see table on page 2)
Medium	Clean, neutral, gaseous and liquid media
max. viscosity	22 mm ² /s
Temperature range	Medium: -10 °C up to +80 °C Ambient: -10 °C up to +60 °C
Body material	Brass 2.0402 Stainless steel 1.4571
Metallic inner parts	Brass and stainless steel
Sealing	FKM
Pilot pressure	4 - 10 bar max pressure with at least 6 bar
Pilot medium	Clean and neutral gases Other pilot media on request

Pilot valve	A7231/1002/....
-------------	------------------------



3/2-way direct operated, NC
G1/8, orifice 1.5mm, 0-8 bar
Brass / Stainless steel / FKM

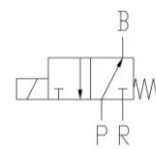
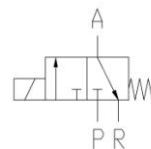
Screw connection	Brass G1/8 x M5 (B0009.001074)
------------------	--------------------------------

VALVE FEATURES

- No pressure difference required
- High life time
- Simple compact valve design
- Reliable and sturdy sealing elements
- Long-term availability of spare parts

FUNCTION

NC – non energized closed NO – non-energized open



CERTIFICATES

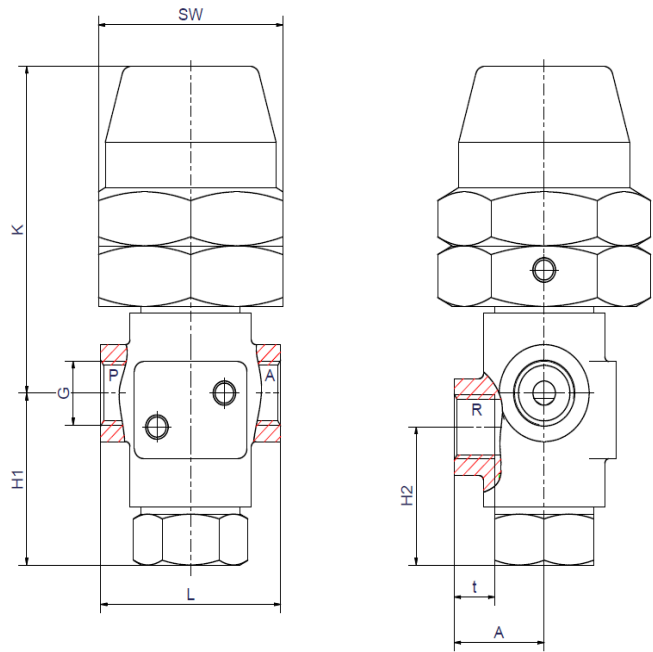
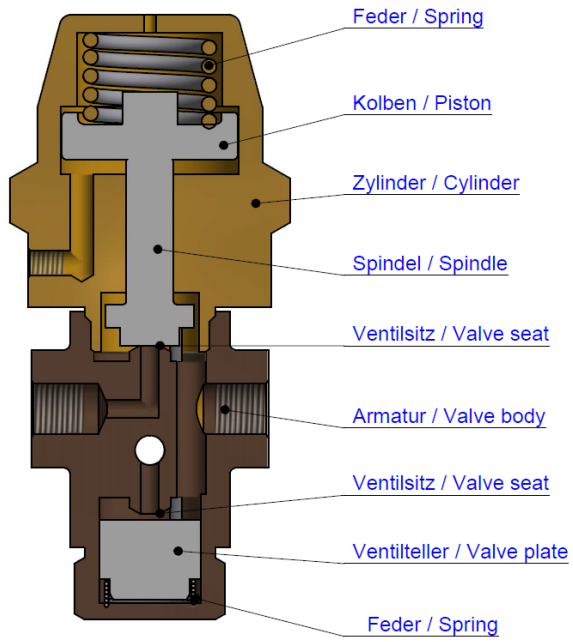


ORDERING SYSTEM

Type	Connect.	Housing	Seal	Actuator
2 / 2 9 2	- 4 5 -	1 0 0 2	-	7 0 0 3
	4 . G 1/4 . 4 3,0 mm . 5 4,0 mm . 6 5,0 mm	08 St. steel 1.4571 10 Brass 2.0401	02 FKM	7 . Normally closed 8 . Normally open . 3 30 mm

TECHNICAL FEATURES

G	Seat Ø mm	Kv-value m³/h	Standard type	max. pressure with actuator		
				7003 (NC)	8003 (NO)	7003-UN
1/4	3,0	0,2	2/292-44-1002-	0-80	0-80	0-40
1/4	4,0	0,35	2/292-45-1002-	0-60	0-60	0-30
1/4	5,0	0,5	2/292-46-1002-	0-40	0-40	0-20



	Brass	Stainless steel
Type	2/292-4.-1002-7003	2/292-4.-0802-7003
G	1/4	1/4
A	20	20
SW	41	41
H1	35,5	35,5
H2	28,5	28,5
K	67,5	67,5
L	40	40
t	9	10
kg	0,7	0,9

INFORMATION

- It is imperative to observe the installation and safety instructions in our operating and service manuals.
- For information on our GSR ordering code, please refer to our catalogs. If you have any questions, we will be glad to assist you.
- Required ordering information: valve type, function NC/NO, pressure range, connection, nominal width, medium, flow rate, medium and ambient temperatures, connection voltage.
- **Detailed production-specific drawings and other technical information will be made available when an order is placed**

PLEASE NOTE

Each individual application decides which valve type is required, the main factor being the resistance of the materials to the operating medium. The correct selection of materials requires knowledge of the concentration, temperature and degree of contamination of the medium. Other criteria include the operating pressure and max. volumetric flow, since , in addition to high temperatures , high pressures and high flow rates must also be taken into account when selecting the materials.

All materials used for our valves, be it housing, seals or magnets, will be carefully selected in view of the different application areas. Any information given is non-binding and serves for orientation only. No claims under warranty can be derived therefrom.

- The GSR logo is a registered trademark of GSR Ventiltechnik GmbH & Co. KG.
- Note: All texts and images are the property of GSR Ventiltechnik GmbH & Co. KG and must not be replicated or modified, not even in part, without written approval.
- Original products may differ from the product images shown, due to different materials and the like.
- Subject to error and changes.

Stand: 11.17, MK-MG, Version 1.