



# Technical Data Sheet Type 2/529PN



Type 2/529PN

2/2-way pressure operated valve  
 NC - Valve normally closed (as standard)  
 NO - Valve normally open (as option)

Pilot operated piston design valve. The mentioned minimum pressure difference between inlet and outlet is necessary for proper operation. In standard (NC) the valve closes with spring power.

■ **Pressure controlled valve for high pressure applications**

## TECHNICAL SPECIFICATIONS

Type of control	Pilot-pressure operated
Design	piston design valve
Connection	Threaded G1/2 - G2 DIN ISO 228/1 (BSP)
Installation	Preferable with actuator upright
Pressure	1 - 600 bar (see table on page 2)
Medium	Clean, neutral, gaseous and liquid media
max. viscosity	22 mm <sup>2</sup> /s
Temperature range	Medium: -30 °C up to +80 °C Ambient: -10 °C up to +60 °C
Body material	Stainless steel 1.4571
Metallic inner parts	Stainless steel
Sealing	PEEK
Pilot pressure	4 - 10 bar max pressure with at least 6 bar
Pilot medium	Clean and neutral gases Other pilot media on request

Pilot valve	<b>2/131-31-1702-C182</b>
-------------	---------------------------



3/2-way direct operated, NC  
 G1/8, orifice 1.5mm, 0-8 bar  
 Aluminum / Stainless steel / FKM  
 with Cnomo-coil as well as with  
 integrated screw connection for  
 easy assembly

	<b>A7231/1002/....</b>
--	------------------------



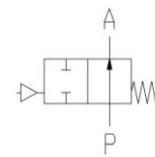
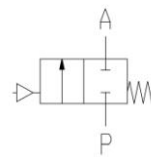
3/2-way direct operated, NC  
 G1/8, orifice 1.5mm, 0-8 bar  
 Brass / Stainless steel / FKM

## VALVE FEATURES

- For high pressure applications up to 600 bar
- Pressure difference is required
- High life time
- High-quality materials
- Reliable and sturdy sealing elements

## FUNCTION

NC – non pressurized closed    NO – non pressurized open



## CERTIFICATES

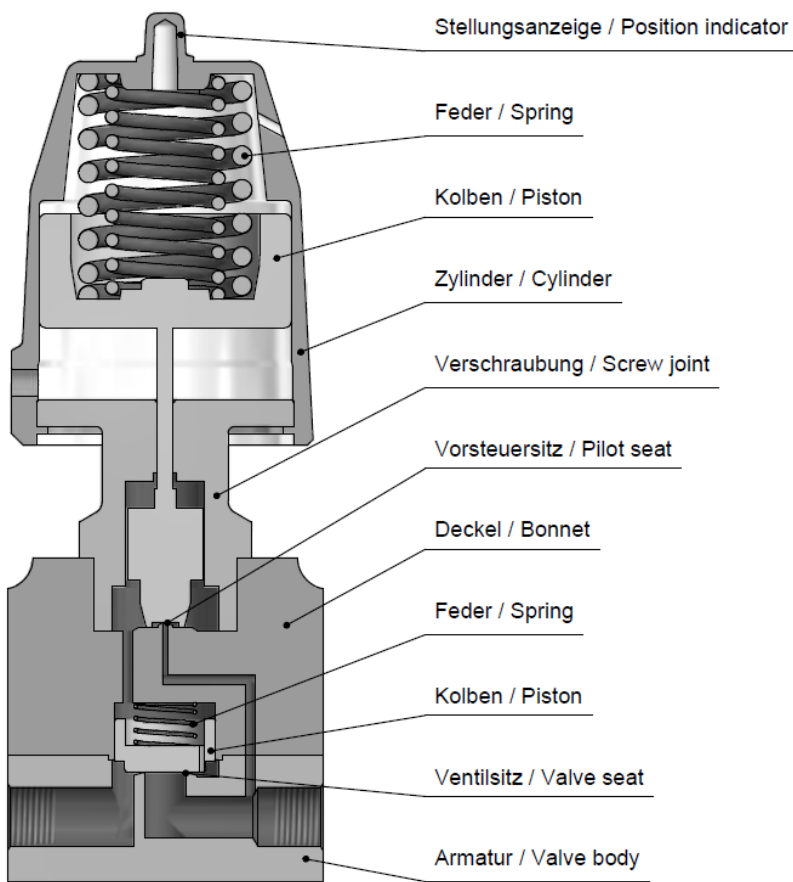


## ORDERING SYSTEM

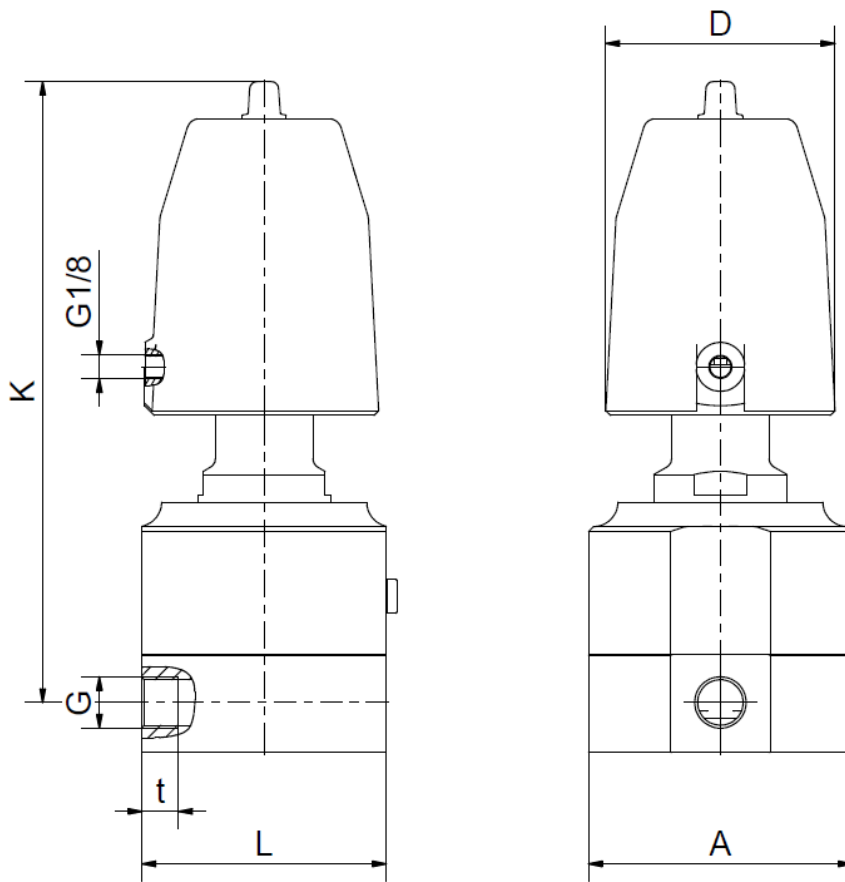
Type	Connect.	Housing	Seal	Actuator
2 / 5 2 9	- 2 3	- 0 8	1 5	- 7 5 0 5
	23 G 1/2 24 G 3/4 25 G 1 26 G 1 1/4 27 G 1 1/2 28 G 2	08 St. steel 1.4571	15 PEEK	7 . Normally closed 8 . Normally open 0 Standard actuator .3 Act. Stainless steel .5 Act. chem. nickel pl.
				.5 50 mm .8 80 mm

## TECHNICAL FEATURES

G	Seat Ø mm	Kv-value m³/h	Standard type	max. pressure with actuator	
				7505	7008
1/2	13	3,8	2/529-23-0815-	1-300	1-600
3/4	25	11,5	2/529-24-0815-	1-300	1-600
1	25	13,0	2/529-25-0815-	1-300	1-600
1 1/4	32	22,0	2/529-26-0815-	1-200	1-600
1 1/2	40	24,0	2/529-27-0815-	1-200	1-600
2	50	32,0	2/529-28-0815-	1-200	1-600



## DIMENSIONS



Actuator	7.05					
Type	2/529-23	2/529-24	2/529-25	2/529-26	2/529-27	2/529-28
G	1/2	3/4	1	1 1/4	1 1/2	2
A	84	110	110	155	155	170
D	62	62	62	62	62	62
K	211	226	226	248	248	301
L	78	101	101	140	140	155
t	15	16	18	22	22	27
kg	5,1	7,4	7,0	17,0	16,5	on req.

Actuator	7.08					
Type	2/529-23	2/529-24	2/529-25	2/529-26	2/529-27	2/529-28
G	1/2	3/4	1	1 1/4	1 1/2	2
A	108	120	120	160	160	170
D	94	94	94	94	94	94
K	255	278	278	313	313	321
L	100	101	101	140	140	150
t	15	16	18	22	22	27
kg	8,6	12,0	11,5	on req.	on req.	on req.

## INFORMATION

- It is imperative to observe the installation and safety instructions in our operating and service manuals.
- For information on our GSR ordering code, please refer to our catalogs. If you have any questions, we will be glad to assist you.
- Required ordering information: valve type, function NC/NO, pressure range, connection, nominal width, medium, flow rate, medium and ambient temperatures, connection voltage.
- **Detailed production-specific drawings and other technical information will be made available when an order is placed**

## PLEASE NOTE

Each individual application decides which valve type is required, the main factor being the resistance of the materials to the operating medium. The correct selection of materials requires knowledge of the concentration, temperature and degree of contamination of the medium. Other criteria include the operating pressure and max. volumetric flow, since , in addition to high temperatures , high pressures and high flow rates must also be taken into account when selecting the materials.

**All materials used for our valves, be it housing, seals or magnets, will be carefully selected in view of the different application areas. Any information given is non-binding and serves for orientation only. No claims under warranty can be derived therefrom.**

- The GSR logo is a registered trademark of GSR Ventiltechnik GmbH & Co. KG.
- Note: All texts and images are the property of GSR Ventiltechnik GmbH & Co. KG and must not be replicated or modified, not even in part, without written approval.
- Original products may differ from the product images shown, due to different materials and the like.
- Subject to error and changes.

**Stand: 09.17, MK-MG, Version 1.**