



Technical Data Sheet Type 2/668

2/3-way pressure operated valve
NC - Valve normally closed and with
double acting actuator

Direct pressure controlled valve. The valve seat is opened against a spring force via the control medium.

■ Valve for clean, gaseous and liquid media

TECHNICAL SPECIFICATIONS

Type of control	Direct pressure operated
Design	Cone-shaped piston
Connection	Threaded G1/2 - G2 DIN EN 228/1 (BSP)
Installation	Preferable with actuator upright
Pressure	0 - 7 bar (see table on page 2)
Medium	Clean, neutral, gaseous and liquid media
max. viscosity	600 mm ² /s
Temperature range	Medium: -10 °C up to +80 °C Ambient: -10 °C up to +60 °C
Body material	Red brass RG5 Stainless steel 1.4408
Metallic inner parts	Red brass / Brass and Stainless steel
Sealing	PTFE
Pilot pressure	4 - 10 bar max pressure with at least 6 bar
Pilot medium	Clean and neutral gases Other pilot media on request

Pilot valve **2/131-31-1702-C182**



3/2-way direct operated, NC
G1/8, orifice 1.5mm, 0-8 bar
Aluminum / Stainless steel / FKM
with Cnomo-coil as well as with
integrated screw connection for
easy assembly

A7231/1002/....



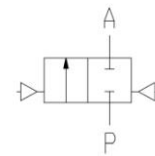
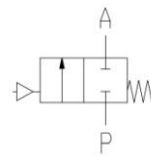
3/2-way direct operated, NC
G1/8, orifice 1.5mm, 0-8 bar
Brass / Stainless steel / FKM

VALVE FEATURES

- Adjustable positioning (center)
- No pressure difference required
- High life time
- Reliable and sturdy sealing elements
- Long-term availability of spare parts

FUNCTION

NC – non pressurized closed Positioning



CERTIFICATES

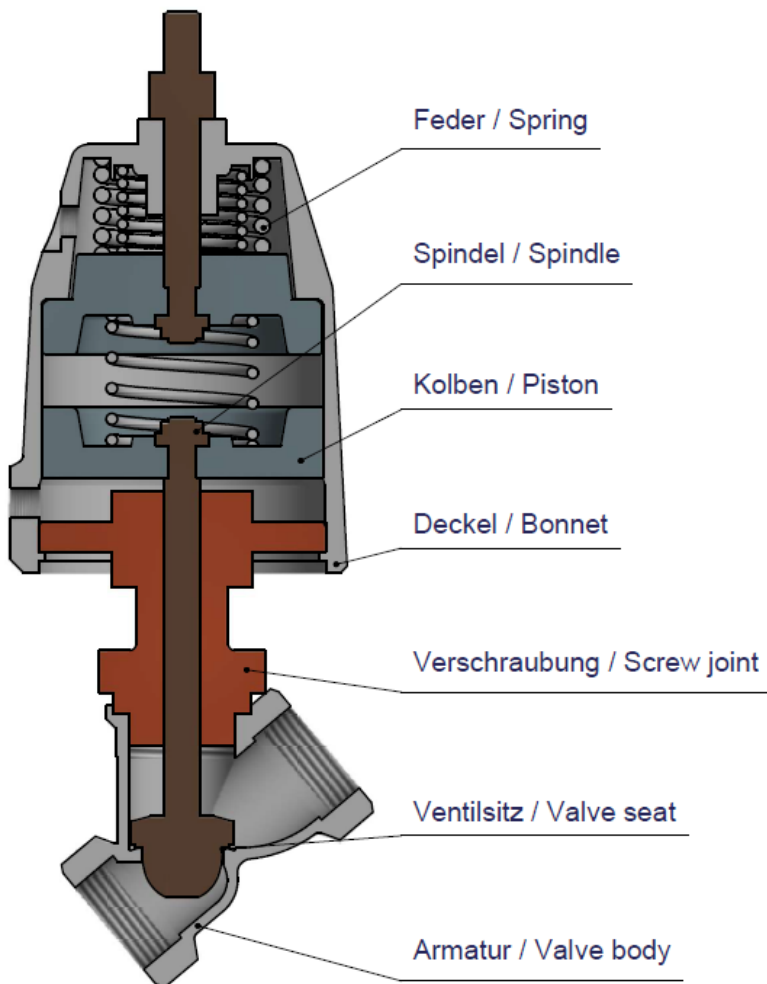


ORDERING SYSTEM

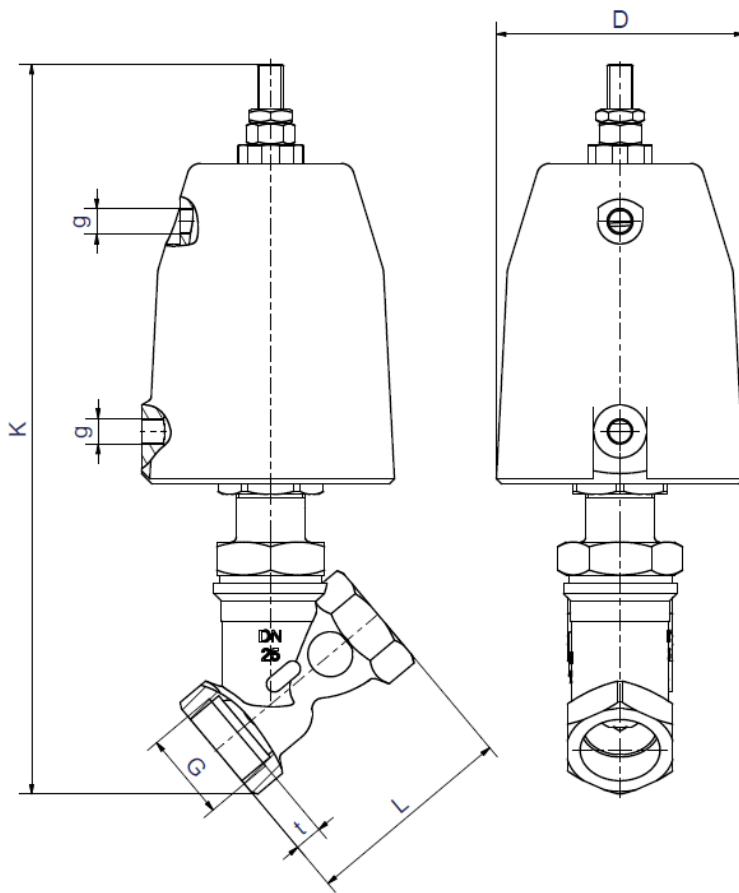
Type	Connect.	Housing	Seal	Actuator
2 / 6 6 8	- 2 3	- 1 1 0 4	-	7 1 0 8 - KP
23	G 1/2	08	St. steel 1.4408	7. Normally closed
24	G 3/4	11	Brass RG5	. 1 Standard actuator
25	G 1			. 3 Act. Stainless steel
26	G 1 1/4		04 PTFE	. 5 Act. chem. nickel pl.
27	G 1 1/2			
28	G 2			. 8 80 mm

TECHNICAL FEATURES

				max. pressure with actuator
				7.08-KP
G	Seat Ø mm	Kv-value m³/h	Standard type	bar
1/2	12	4,6	2/668-23-..04-	0-7
3/4	16	6,4	2/668-24-..04-	0-7
1	23	12,0	2/668-25-..04-	0-7
1 1/4	29	21,5	2/668-26-..04-	0-7
1 1/2	35	27,0	2/668-27-..04-	0-7
2	43	46,0	2/668-28-..04-	0-7



DIMENSIONS



Actuator	7.08-KP					
Type	2/668-23	2/668-24	2/668-25	2/668-26	2/668-27	2/668-28
G	1/2	3/4	1	1 1/4	1 1/2	2
d	94	94	94	94	94	94
K	263	266	277	290	301	320
L	66	75	80	97	107	124
t	13,2	14,5	10,5	12,5	14,5	16,5
g	1/8	1/8	1/8	1/8	1/8	1/8
kg	1,9	1,9	2,2	2,7	2,9	3,4

INFORMATION

- It is imperative to observe the installation and safety instructions in our operating and service manuals.
- For information on our GSR ordering code, please refer to our catalogs. If you have any questions, we will be glad to assist you.
- Required ordering information: valve type, function NC/NO, pressure range, connection, nominal width, medium, flow rate, medium and ambient temperatures, connection voltage.
- **Detailed production-specific drawings and other technical information will be made available when an order is placed**

PLEASE NOTE

Each individual application decides which valve type is required, the main factor being the resistance of the materials to the operating medium. The correct selection of materials requires knowledge of the concentration, temperature and degree of contamination of the medium. Other criteria include the operating pressure and max. volumetric flow, since , in addition to high temperatures , high pressures and high flow rates must also be taken into account when selecting the materials.

All materials used for our valves, be it housing, seals or magnets, will be carefully selected in view of the different application areas. Any information given is non-binding and serves for orientation only. No claims under warranty can be derived therefrom.

- The GSR logo is a registered trademark of GSR Ventiltechnik GmbH & Co. KG.
- Note: All texts and images are the property of GSR Ventiltechnik GmbH & Co. KG and must not be replicated or modified, not even in part, without written approval.
- Original products may differ from the product images shown, due to different materials and the like.
- Subject to error and changes.

Stand: 06.18, MK-MG, Version 1.