

# Technical Data Sheet Type 63DTE



2/2-way pressure operated valve  
 NC - Valve normally closed (as standard)  
 NO - Valve normally open (as option)

Direct pressure controlled valve. The valve seat is opened against a spring force via the control medium.

■ **Valve for extended temperature range**

## TECHNICAL SPECIFICATIONS

Type of control	Direct-pressure operated
Design	poppet design
Connection	Threaded G 1/2 - G 2 DIN ISO 228/1 (BSP)
Installation	Preferable with actuator upright
Pressure	0 - 40 bar (see table on page 2)
Medium	Clean, neutral, gaseous and liquid media
max. viscosity	600 mm <sup>2</sup> /s
Temperature range	Medium: -40 °C up to +300 °C Ambient: -10 °C up to +60 °C
Body material	Stainless steel 1.4408 / 1.4571 Welded body
Metallic inner parts	Stainless steel
Sealing	Metallic
Pilot pressure	4 - 10 bar
Pilot medium	Clean and neutral gases Other pilot media on request

Pilot valve	<b>2/131-31-1702-C182</b>
-------------	---------------------------



3/2-way direct operated, NC  
 G1/8, orifice 1.5mm, 0-8 bar  
 Aluminum / Stainless steel /FKM  
 with Cnomo-coil as well as with  
 integrated screw connection for  
 easy assembly.

	<b>A7231/1002/....</b>
--	------------------------



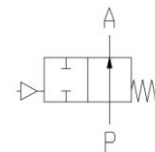
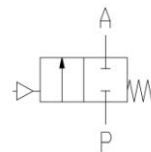
3/2-way direct operated, NC  
 G1/8, orifice 1.5mm, 0-8 bar  
 Brass / Stainless steel / FKM

## VALVE FEATURES

- For media temperatures up to +300 °C
- No pressure difference is required
- High life time
- High-quality materials
- Reliable and sturdy sealing elements

## FUNCTION

NC – non pressurized closed    NO – non pressurized open



## CERTIFICATES



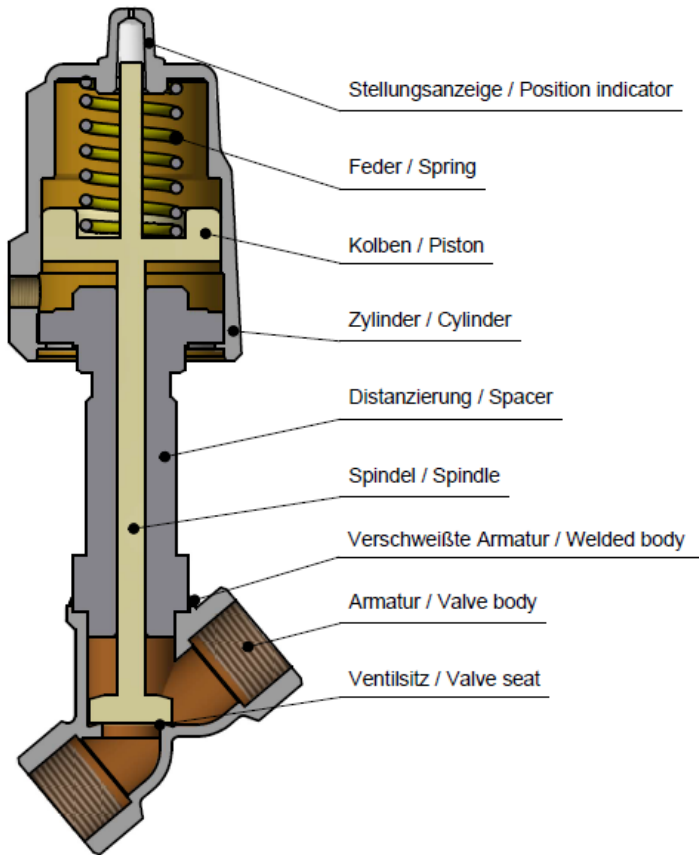
## ORDERING SYSTEM

Type	Conn.	Housing	Seal	Actuator	Option
. 6 3	2 3	/ 0 8	0 0 /	7 5 0 5	- D T
	23 G 1/2 24 G 3/4 25 G 1 26 G 1 1/4 27 G 1 1/2 28 G 2	08 Stainl. st. 1.4408	00 metall.	7 . Normally closed 8 . Normally open .1 Standard actuator .3 Act. Stainless steel .5 Act. chem. nickel pl.	DT Distance unit +300°C medium
				.5 50 mm .8 80 mm .3 125 mm	

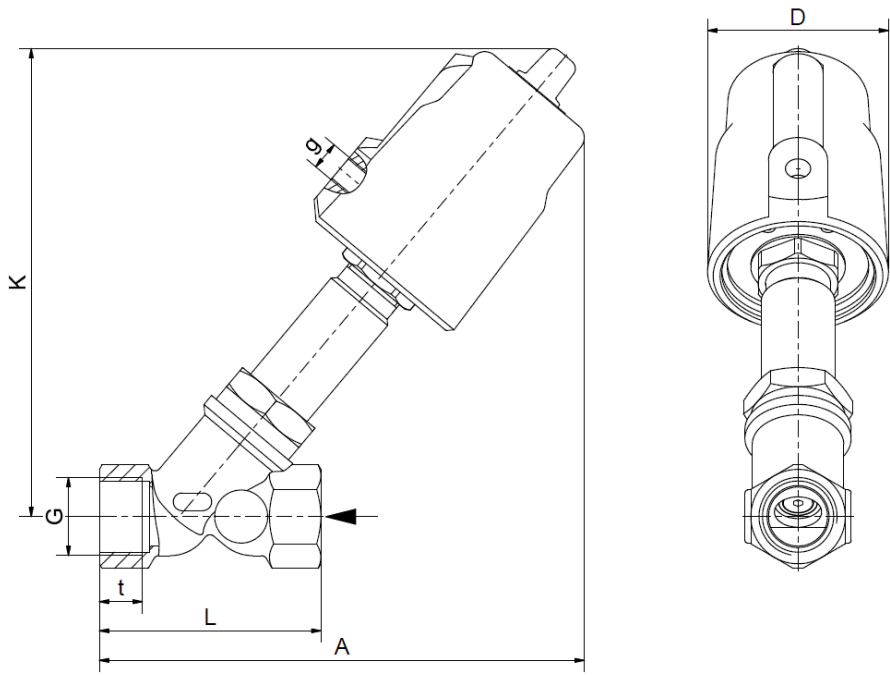
# TECHNICAL FEATURES

				max. pressure with actuator		
G				7.05	7.08	7.13
1/2	13	4,6	.6323/0800/7...-DT	0-40	-	-
3/4	18	6,4	.6324/0800/7...-DT	0-20	0-40	-
1	24	8,4	.6325/0800/7...-DT	0-16	0-25	0-40
1 1/4	31	21,5	.6326/0800/7...-DT	0-9	0-25	0-40
1 1/2	35	27,0	.6327/0800/7...-DT	0-7	0-20	0-40
2	45	45,0	.6328/0800/7...-DT	-	0-12	0-25

				max. pressure when closing against the flow		
G				7.15 / 7.55	7.58	7.63
1/2	13	4,6	.6323/0800/7...-DT	0-40	-	-
3/4	18	6,4	.6324/0800/7...-DT	0-20	0-25	-
1	24	8,4	.6325/0800/7...-DT	0-10	0-22	0-40
1 1/4	31	21,5	.6326/0800/7...-DT	0-7	0-10	0-40
1 1/2	35	27,0	.6327/0800/7...-DT	0-6	0-8	0-30
2	45	45,0	.6328/0800/7...-DT	-	0-5	0-20



# DIMENSIONS



Actuator	7.05					7.08		
Type	6323	6324	6325	6326	6327	6324	6325	6326
G	1/2	3/4	1	1 1/4	1 1/2	3/4	1	1 1/4
A	158	165	170	195	200	193	208	217
D	62	62	62	62	62	94	94	94
K	158	161	164	180	187	193	208	217
L	65	75	90	110	120	75	90	110
g	1/8	1/8	1/8	1/8	1/8	1/8	1/8	1/8
t	12	13	15	17	19	13	15	17
kg	1,4	1,5	1,9	2,4	2,7	1,7	2,0	2,5

Actuator	7.08		7.13			
Type	6327	6328	6325	6326	6327	6328
G	1 1/2	2	1	1 1/4	1 1/2	2
A	224	235	on req.	275	280	385
D	94	94	140	140	140	140
K	218	229	on req.	275	280	285
L	120	150	90	110	120	150
g	1/8	1/8	1/4	1/4	1/4	1/4
t	19	21	15	17	19	21
kg	2,9	3,2	on req.	5,0	5,5	6,5

## INFORMATION

- It is imperative to observe the installation and safety instructions in our operating and service manuals.
- For information on our GSR ordering code, please refer to our catalogs. If you have any questions, we will be glad to assist you.
- Required ordering information: valve type, function NC/NO, pressure range, connection, nominal width, medium, flow rate, medium and ambient temperatures, connection voltage.
- **Detailed production-specific drawings and other technical information will be made available when an order is placed**

## PLEASE NOTE

Each individual application decides which valve type is required, the main factor being the resistance of the materials to the operating medium. The correct selection of materials requires knowledge of the concentration, temperature and degree of contamination of the medium. Other criteria include the operating pressure and max. volumetric flow, since , in addition to high temperatures , high pressures and high flow rates must also be taken into account when selecting the materials.

**All materials used for our valves, be it housing, seals or magnets, will be carefully selected in view of the different application areas. Any information given is non-binding and serves for orientation only. No claims under warranty can be derived therefrom.**

- The GSR logo is a registered trademark of GSR Ventiltechnik GmbH & Co. KG.
- Note: All texts and images are the property of GSR Ventiltechnik GmbH & Co. KG and must not be replicated or modified, not even in part, without written approval.
- Original products may differ from the product images shown, due to different materials and the like.
- Subject to error and changes.

**Stand: 06.19, MK-MG, Version 1.**