

Technical Data Sheet Type 63FL

- 2/2-way pressure controlled valve
- NC - Valve normally closed (as standard)
- NO - Valve normally open (as option)
- DW - Valve with double acting actuator (as option)

Direct pressure controlled valve. The valve seat is opened against a spring force via the control medium.

■ Valve for clean, gaseous and liquid media

TECHNICAL SPECIFICATIONS

Type of control	Direct-pressure operated
Design	Poppet design
Connection	Flanges DN15 - DN80 EN 1092-1
Installation	Preferable with actuator upright
Pressure	0 - 40 bar (see table on page 2)
Medium	Clean, neutral, gaseous and liquid media
max. viscosity	600 mm ² /s
Temperature range	Medium: -40 °C up to +200 °C Ambient: -40 °C up to +60 °C
Body material	Stainless steel 1.4408 / 1.4571
Metallic inner parts	Stainless steel
Sealing	PTFE
Pilot pressure	4 - 10 bar max pressure with at least 6 bar
Pilot medium	Clean and neutral gases Other pilot media on request

Suitable pilot valves **2/131-31-1702-C182**



3/2-way direct operated, NC
G1/8, orifice 1.5mm, 0-8 bar
Aluminum / Stainless steel /FKM
with Cnomo-coil as well as with
integrated screw connection for
easy assembly.

A7231/1002/....



3/2-way direct operated, NC
G1/8, orifice 1.5mm, 0-8 bar
Brass / Stainless steel / FKM

VALVE FEATURES

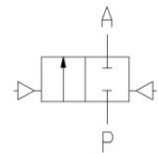
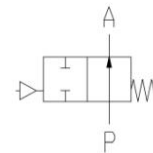
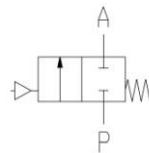
- No pressure difference required
- High life time
- High-quality materials
- Reliable and sturdy sealing elements
- Long-term availability of spare parts
- NO - non-pressurized open as option
- DW - double acting as option

FUNCTION

NC – non
pressurized
closed

NO – non
pressurized open

DW - double
acting



CERTIFICATES



Special design available for temperature ranges **-40 °C up to +300 °C**.

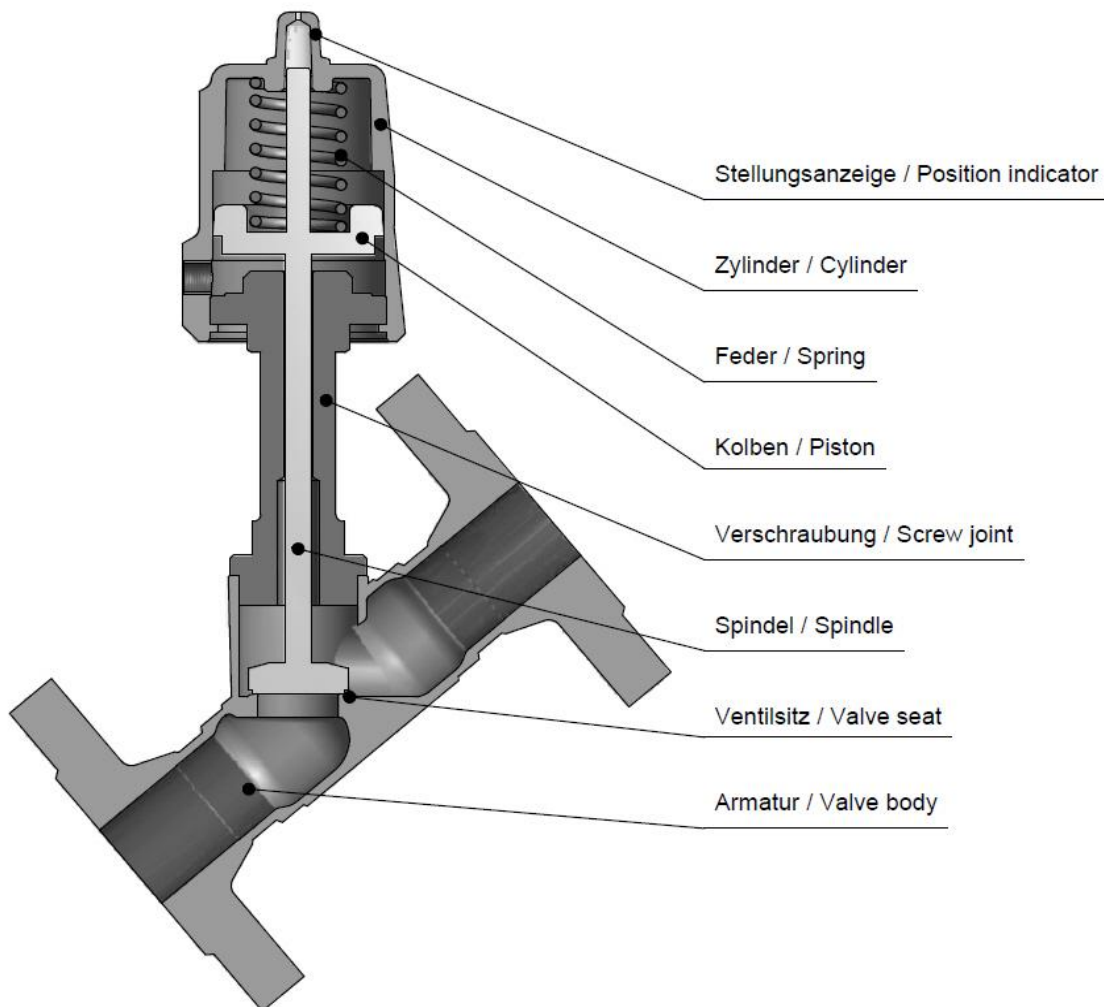
Daten und Zeichnungen auf Anfrage erhältlich.

ORDERING SYSTEM

Valve type				Actuator				Options						
.	6	3	2 3	/	0	8	0 4	/	7	5	0 5	-	F	L
Connection				Body material				Seal material						
23 DN15				08 St.steel 1.4408				7 . norm. Closed						
24 DN20								8 . norm. open						
25 DN25								9 . double acting						
26 DN32								.3 Act. St.steel						
27 DN40								.5 Act. nickel plated						
28 DN50														
29 DN65								.5 50mm						
30 DN80								.8 80 mm						
								.3 125 mm						

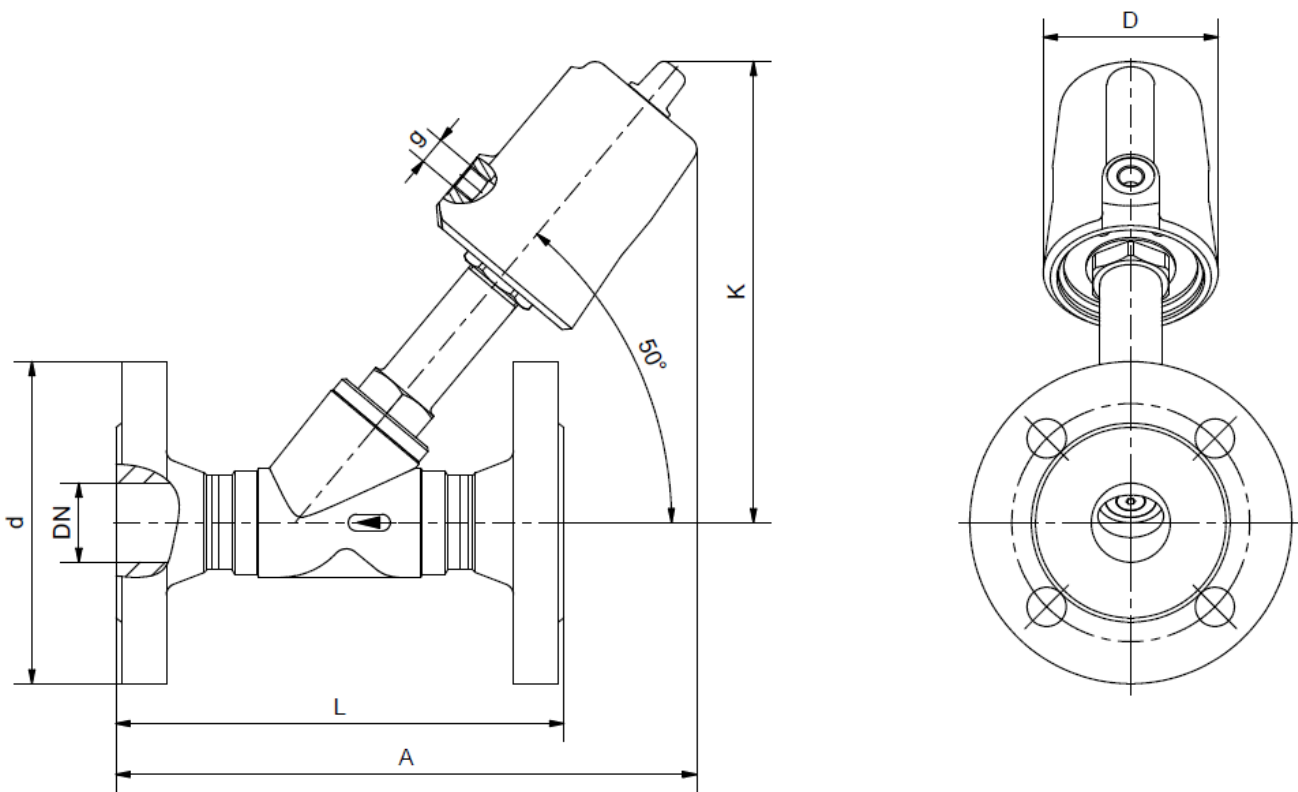
TECHNICAL FEATURES

DN	Seat Ø mm	Kv-value m³/h	Standard type	max. pressure with actuator		
				7.05	7.08	7.13
15	13	4,6	.6323/0804/7...-FL	0-40	-	-
20	18	6,4	.6324/0804/7...-FL	0-20	-	-
25	24	8,4	.6325/0804/7...-FL	0-16	0-25	-
32	31	21,5	.6326/0804/7...-FL	0-9	0-25	-
40	35	27,0	.6327/0804/7...-FL	0-7	0-20	0-40
50	45	45,0	.6328/0804/7...-FL	0-4	0-12	0-20
65	63	82,0	.6329/0804/7...-FL	-	0-6	0-10
80	75	125,0	.6330/0804/7...-FL	-	0-4	0-10



DIMENSIONS

Type 63FL



Actuator	7.05						7.08		
Type	6323	6324	6325	6326	6327	6328	6325	6326	6327
DN	15	20	25	32	40	50	25	32	40
A	186	196	207	225	240	265	243	255	169
d	95	105	115	140	150	165	115	140	150
D	62	62	62	62	62	62	94	94	94
K	152	156	166	181	185	200	205	213	220
L	130	150	160	180	200	230	160	180	200
g	1/8	1/8	1/8	1/8	1/8	1/8	1/8	1/8	1/8
kg	2,9	3,6	4,1	5,9	6,6	8,8	4,8	6,2	6,8

Actuator	7.08			7.13			
Type	6328	6329	6330	6327	6328	6329	6330
DN	50	65	80	40	50	65	80
A	235	on req.	on req.	335	356	on req.	on req.
d	165	185	200	150	165	185	200
D	94	94	94	140	140	140	140
K	290	on req.	on req.	295	305	on req.	on req.
L	230	290	290	200	230	290	310
g	1/8	1/8	1/8	1/4	1/4	1/4	1/4
kg	8,9	on req.	on req.	9,0	11,0	on req.	on req.

INFORMATION

- It is imperative to observe the installation and safety instructions in our operating and service manuals.
- For information on our GSR ordering code, please refer to our catalogs. If you have any questions, we will be glad to assist you.
- Required ordering information: valve type, function NC/NO, pressure range, connection, nominal width, medium, flow rate, medium and ambient temperatures, connection voltage.
- **Detailed production-specific drawings and other technical information will be made available when an order is placed**

PLEASE NOTE

Each individual application decides which valve type is required, the main factor being the resistance of the materials to the operating medium. The correct selection of materials requires knowledge of the concentration, temperature and degree of contamination of the medium. Other criteria include the operating pressure and max. volumetric flow, since , in addition to high temperatures , high pressures and high flow rates must also be taken into account when selecting the materials.

All materials used for our valves, be it housing, seals or magnets, will be carefully selected in view of the different application areas. Any information given is non-binding and serves for orientation only. No claims under warranty can be derived therefrom.

- The GSR logo is a registered trademark of GSR Ventiltechnik GmbH & Co. KG.
- Note: All texts and images are the property of GSR Ventiltechnik GmbH & Co. KG and must not be replicated or modified, not even in part, without written approval.
- Original products may differ from the product images shown, due to different materials and the like.
- Subject to error and changes.

Stand: 08.18, MK-MG, Version 1.