



Technical Data Sheet Type 63G



Type 63G

2/2-way pressure operated valve
 NC - Valve normally closed (as standard)
 NO - Valve normally open (as option)

Direct pressure controlled valve. The valve seat is opened against a spring force via the control medium.

■ Valve for clean, gaseous and liquid media

TECHNICAL SPECIFICATIONS

Type of control	Direct pressure operated
Design	Poppet design
Connection	Threaded G 1/4 - G 1/2 DIN ISO 228/1 Further connections like NPT on request
Installation	Preferable with actuator upright
Pressure	0 - 16 bar (see table on page 2)
Medium	Clean, neutral, gaseous and liquid media
Viscosity	600 mm ² /s
Temperature range	Medium: -10 °C up to +80 °C Ambient: -10 °C up to +60 °C
Body material	Brass 2.0401 Stainless steel 1.4571 / 1.4581
Metallic inner parts	Brass and Stainless steel
Sealing	NBR, FKM, EPDM
Pilot pressure	4 - 10 bar
Pilot medium	Clean and neutral gases Other pilot-media on request

Pilot valve **2/131-31-1702-C182**



3/2-way direct operated, NC
 G1/8, orifice 1.5mm, 0-8 bar
 Aluminum / Stainless steel / FKM
 with Cnomo-coil as well as with
 integrated screw-connection for
 easy assembly

Pilot valve **A7231/1002/....**



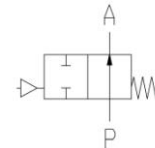
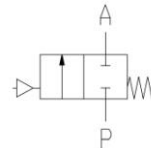
3/2-way direct operated, NC
 G1/8, orifice 1.5mm, 0-8 bar
 Brass / Stainless steel / FKM

VALVE FEATURES

- No pressure difference required
- High life time
- Simple compact valve design
- Low weight
- High-quality materials
- Reliable and sturdy sealing elements
- Long-term availability of spare parts

FUNCTION

NC – non pressurized closed NO – non pressurized open



CERTIFICATES



ORDERING SYSTEM

Type	Conn.	Housing	Seal	Actuator
. 6 3	2 3	/ 1 0 0 1	/	7 0 0 3
	47 G 1/4 6 mm 58 G 3/8 8 mm 69 G 1/2 10 mm 21 G 1/4 22 G 3/8 23 G 1/2	08 Stainl. St. 1.4571 10 Brass 2.0402	01 NBR 02 FKM 06 EPDM	7 . Normally closed 8 . Normally open . 0 Standard actuator . 3 Act. stainless steel . 5 Act. chem. nickel pl. . 3 30 mm

TECHNICAL FEATURES

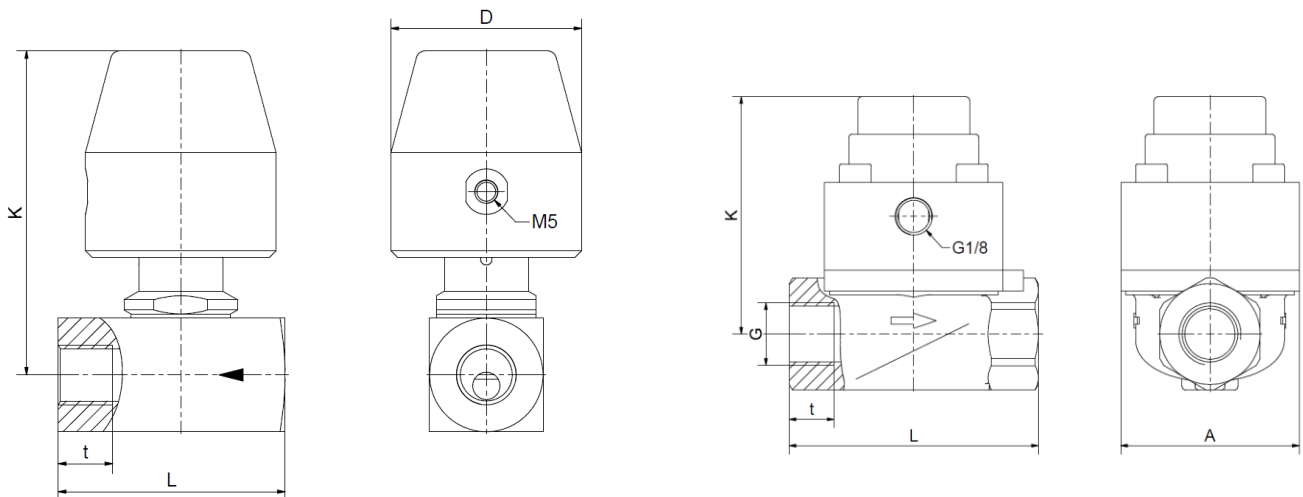
Type 63G

G	Seat Ø mm	Kv-value m³/h	Standard type	max. pressure with actuator		
				7.03	7.53	8.03 (NO)
1/4	6	0,75	.6347/..01/7003	0-16	0-16	0-16
3/8	8	0,9	.6358/..01/7003	0-16	0-16	0-16
1/2	10	1,7	.6369/..01/7003	0-16	0-16	0-12

G	Seat Ø mm	Kv-value m³/h	Standard type	max. pressure with actuator		
				7.03	7.53	8.03 (NO)
1/4	13	1,8	.6321/1001/7003	0-10	0-10	0-10
	13,5	1,8	.6321/0801/7503	0-10	0-10	0-10
3/8	13	3,6	.6322/1001/7003	0-10	0-10	0-10
	13,5	3,6	.6322/0801/7503	0-10	0-10	0-10
1/2	13	3,9	.6323/1001/7003	0-10	0-10	0-10
	13,5	3,9	.6323/0801/7503	0-10	0-10	0-10

Type 6347 / 6358 / 6369

Type 6321-23 Brass and Stainless steel



Actuator	7.03								
	Type	6347	6358	6369	6321/10.	6322/10.	6323/10.	6321/08.	6322/08.
G	1/4	3/8	1/2	1/4	3/8	1/2	1/4	3/8	1/2
A	-	-	-	48	48	48	48	48	48
D	42	42	42	-	-	-	-	-	-
K	72	81	81	64	64	64	64	64	64
L	50	54	54	67	67	67	67	67	67
t	12	12,5	13	12	12	13	14	12,5	12,5
kg	0,6	0,7	0,6	0,8	0,8	0,7	0,7	0,7	0,6

INFORMATION

- It is imperative to observe the installation and safety instructions in our operating and service manuals.
- For information on our GSR ordering code, please refer to our catalogs. If you have any questions, we will be glad to assist you.
- Required ordering information: valve type, function NC/NO, pressure range, connection, nominal width, medium, flow rate, medium and ambient temperatures, connection voltage.
- **Detailed production-specific drawings and other technical information will be made available when an order is placed**

PLEASE NOTE

Each individual application decides which valve type is required, the main factor being the resistance of the materials to the operating medium. The correct selection of materials requires knowledge of the concentration, temperature and degree of contamination of the medium. Other criteria include the operating pressure and max. volumetric flow, since , in addition to high temperatures , high pressures and high flow rates must also be taken into account when selecting the materials.

All materials used for our valves, be it housing, seals or magnets, will be carefully selected in view of the different application areas. Any information given is non-binding and serves for orientation only. No claims under warranty can be derived therefrom.

- The GSR logo is a registered trademark of GSR Ventiltechnik GmbH & Co. KG.
- Note: All texts and images are the property of GSR Ventiltechnik GmbH & Co. KG and must not be replicated or modified, not even in part, without written approval.
- Original products may differ from the product images shown, due to different materials and the like.
- Subject to error and changes.

Stand: 05.17, MK-MG, Version 1.