

Technical Data Sheet Type 60



2/2-way pressure operating valve
NC - Valve normally closed

Pilot operated Diaphragm design. The mentioned minimum pressure difference between inlet and outlet is necessary for proper operation.
In standard (NC) the valve closes with spring power.

■ Solenoid valve for gaseous and liquid media

TECHNICAL SPECIFICATIONS

Type of control	Pilot-pressure operated
Design	Diaphragm design
Connection	Threaded G 1/4 - G 2 DIN ISO 228/1 (BSP)
Installation	Preferable with actuator upright
Pressure	0,3 - 20 bar (see table on page 2)
Medium	Clean, neutral, gaseous and liquid media
max. viscosity	22 mm ² /s
Temperature range	Medium: -10 °C up to +80 °C Ambient: -10 °C up to +60 °C
Body material	Brass 2.0402 Stainless steel 1.4581
Metallic inner parts	Brass and Stainless steel
Sealing	NBR, FKM, EPDM
Pilot pressure	according to the operating pressure Max. +0.5 bar more than operating pressure
Pilot medium	clean and neutral
Pilot valve	A5231/1002/.182



suitable for
medium-controlled version

2/2-way direct-operated, NC
G1/8, orifice 1,5mm, 0-30 bar
Brass / Stainless steel / FKM

Pilot valve	A7231/1002/.012
-------------	------------------------



suitable for
external medium (e.g. air)
controlled version

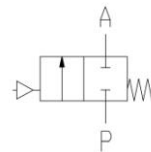
3/2-way direct operated, NC
G1/8, orifice 1,5mm, 0-25 bar
Brass / Stainless steel / FKM

VALVE FEATURES

- Pressure difference is required
- High life time
- Simple compact valve design
- High-quality materials
- Reliable and sturdy sealing elements
- Long-term availability of spare parts

FUNCTION

NC – non pressurized closed



CERTIFICATES

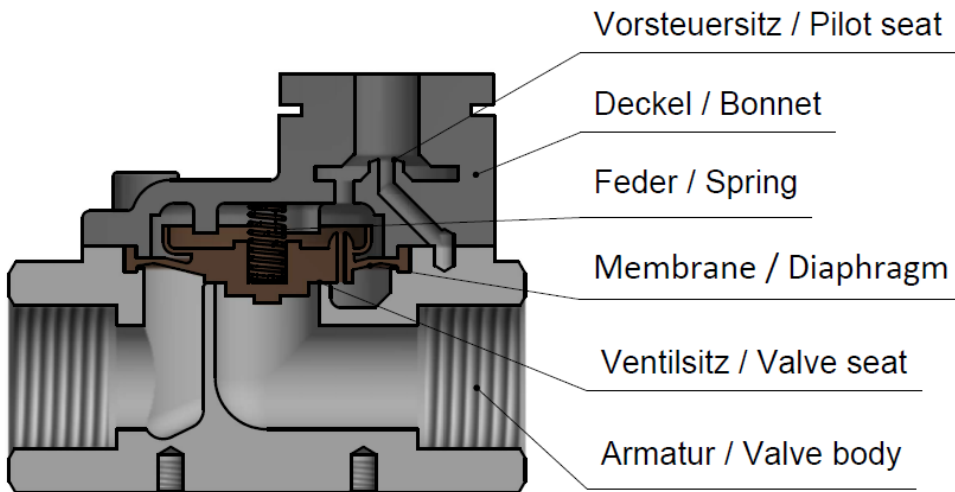


ORDERING SYSTEM

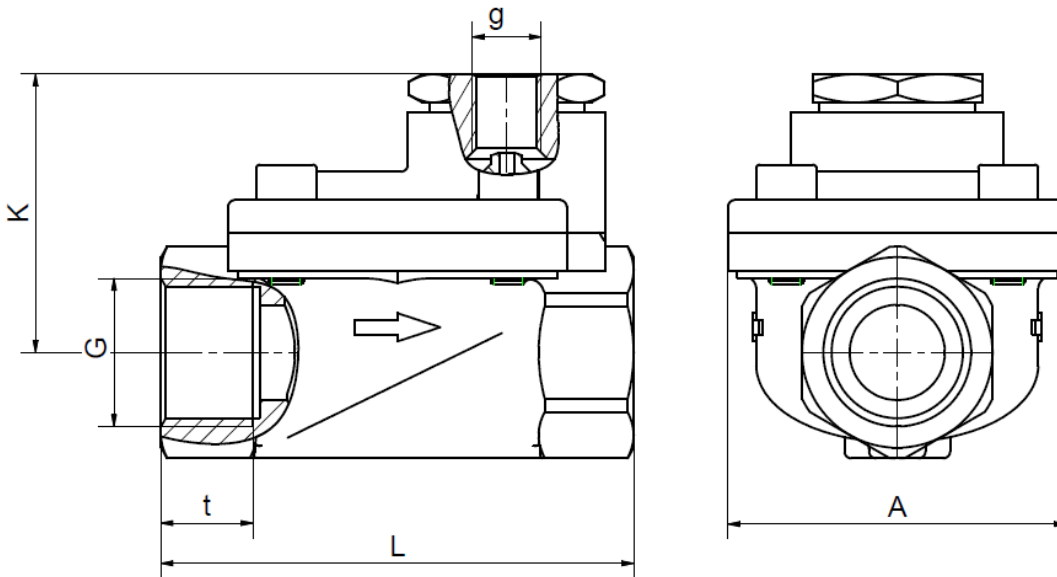
Type	Conn.	Housing	Seal	Controlled
. 6 0	2 3	/ 1 0	0 1	- 7
21 G 1/4	22 G 3/8	08 St. steel 1.4571		6 by same fluid
23 G 1/2	24 G 3/4	10 Brass 2.0402		7 by separate fluid
25 G 1	26 G 1 1/4		01 NBR	
27 G 1 1/2	28 G 2		02 FKM	
			06 EPDM	

TECHNICAL FEATURES

G	Seat Ø mm	Kv-value m ³ /h	Standard type	max. pressure with actuator	
				6 (same medium)	7 (external medium)
1/4	13,5	1,6	.6021/1001-	0,3-20	
3/8	13,5	3,3	.6022/1001-	0,3-20	
1/2	13,5	3,8	.6023/1001-	0,3-20	
3/4	27,5	11,0	.6024/1001-	0,3-20	
1	27,5	13,0	.6025/1001-	0,3-20	
1 1/4	40,0	30,0	.6026/1001-	0,3-16	
1 1/2	40,0	32,0	.6027/1001-	0,3-16	
2	50,0	36,0	.6028/1001-	0,3-16	



DIMENSIONS



Actuator	6 / 7							
Type	.6021	.6022	.6023	.6024	.6025	.6026	.6027	.6028
G	1/4	3/8	1/2	3/4	1	1 1/4	1 1/2	2
g	1/8	1/8	1/8	1/8	1/8	1/8	1/8	1/8
A	48	48	48	70	70	96	96	112
K	39,5	39,5	39,5	52	52	61	61	76
L	67	67	67	96	96	140	140	168
t	12	12	13	16	16	22	22	22
kg	0,5	0,5	0,45	1,3	1,2	2,8	2,55	3,8

INFORMATION

- It is imperative to observe the installation and safety instructions in our operating and service manuals.
- For information on our GSR ordering code, please refer to our catalogs. If you have any questions, we will be glad to assist you.
- Required ordering information: valve type, function NC/NO, pressure range, connection, nominal width, medium, flow rate, medium and ambient temperatures, connection voltage.
- **Detailed production-specific drawings and other technical information will be made available when an order is placed**

PLEASE NOTE

Each individual application decides which valve type is required, the main factor being the resistance of the materials to the operating medium. The correct selection of materials requires knowledge of the concentration, temperature and degree of contamination of the medium. Other criteria include the operating pressure and max. volumetric flow, since , in addition to high temperatures , high pressures and high flow rates must also be taken into account when selecting the materials.

All materials used for our valves, be it housing, seals or magnets, will be carefully selected in view of the different application areas. Any information given is non-binding and serves for orientation only. No claims under warranty can be derived therefrom.

- The GSR logo is a registered trademark of GSR Ventiltechnik GmbH & Co. KG.
- Note: All texts and images are the property of GSR Ventiltechnik GmbH & Co. KG and must not be replicated or modified, not even in part, without written approval.
- Original products may differ from the product images shown, due to different materials and the like.
- Subject to error and changes.

Stand: 04.18, MK-MG, Version 1.