



# Technical Data Sheet

## Type 39



2/2-Way Solenoid valve  
 NC - Valve non energized closed (Standard)

Force-pilot operated solenoid valve with plastic housing  
 Valve closed by spring power (Standard - NC)

■ Solenoid valve for air & water, neutral and clean

Type 39

### TECHNICAL SPECIFICATIONS

|                       |   |
|-----------------------|---|
| Type of control:      | Force-pilot, no differential pressure necessary       |
| Design:               | Diaphragm   |
| Connection:           | Threaded G1/2 and G3/4 acc. to DIN ISO 228 (BSP)      |
| Installation:         | Preferable with actuator upright                      |
| Pressure range:       | 0 - 6 bar   |
| Medium:               | Air, water, neutral and clean                         |
| Viscosity:            | 20 mm <sup>2</sup> /h                                 |
| Temperature range:    | Medium 0 °C up to +40 °C<br>Ambient 0 °C up to +40 °C |
| Body material:        | PA66  |
| Metallic inner parts: | Stainless steel                                       |
| Seal:                 | NBR   |
| Supply voltage:       | AC~ 24V, 110V, 230V<br>DC= 12V, 24V                   |
| Voltage tolerance:    | -10% / +10%   |
| Power consumption:    | .012 = 18,5 Watt                                      |
| Protection class:     | IP65 acc. to DIN EN 60529                             |
| Duty factor:          | 100% ED-VDE 0580                                      |
| Connection type:      | Plug  |

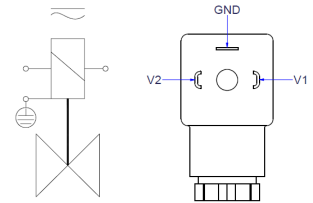
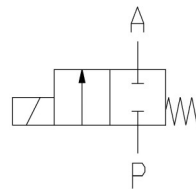
### VALVE FEATURES

- For elementary applications (water & air)
- No pressure difference necessary
- Simple and easy valve design
- Lightweight plastic housing

### FUNCTION

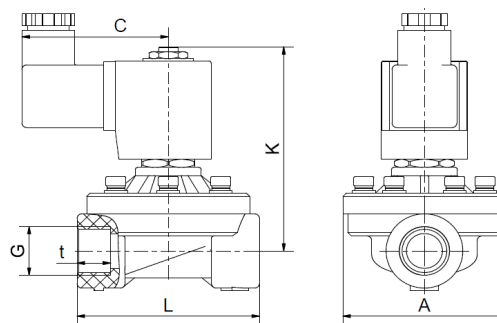
NC - non energized closed

Electr. connection



### ORDERING CODE

|                                      |          |
|--------------------------------------|----------|
| Type                                 | Coil     |
| <b>. 3 9 2 3 / 3 0 0 1 / . 0 1 2</b> |          |
| Connection                           | Material |
| 23 G 1/2                             | 30 PA66  |
| 24 G 3/4                             |          |
| Seal element                         |          |
| 01 NBR                               |          |



| G   | Orifice mm | Kv-value m <sup>3</sup> /h | Type            | max. Pressure | Dimensions [mm] |    |    |    |    |      |
|-----|------------|----------------------------|-----------------|---------------|-----------------|----|----|----|----|------|
|     |            |                            |                 |               | A               | C  | K  | L  | t  | kg   |
| 1/2 | 15         | 3,0                        | .3923/3001/.012 | 0 - 6 bar     | 68              | 61 | 88 | 76 | 14 | 0,52 |
| 3/4 | 20         | 4,0                        | .3924/3001/.012 | 0 - 6 bar     | 68              | 61 | 90 | 80 | 15 | 0,54 |

- The GSR logo is a registered trademark of GSR Ventiltechnik GmbH & Co. KG.
- Note: All texts and images are the property of GSR Ventiltechnik GmbH & Co. KG and must not be replicated or modified, not even in part, without written approval.
- Original products may differ from the product images shown, due to different materials and the like.
- Subject to error and changes