

Technical Data Sheet

Type 3/918



Type 3/918

3/2-way solenoid valve
 NC - Valve normally closed (as standard)
 NO - Valve normally open (as option)

Direct operated coaxial valve. No differential pressure is necessary for operation. When energized, the valve seat is opened directly. In standard (NC) the valve closes with spring power.

■ Solenoid valve for gaseous and liquid media

TECHNICAL SPECIFICATIONS

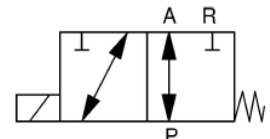
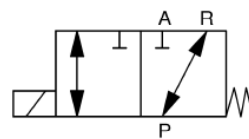
Type of control	Direct operated, no differential pressure necessary
Design	Coaxial-valve
Connection	Threaded G3/8 - G2 DIN ISO 228/1 (BSP) <small>Further connections like NPT on request</small>
Installation	Preferable with actuator upright
Pressure	0 - 64 bar (see table on page 2)
Medium	Clean, neutral, gaseous and liquid media
max. viscosity	ca. 1500 mm ² /s
Temperature range	Medium: -10 °C up to +100 °C Ambient: -10 °C up to +50 °C
Body material	Brass 2.0401 Stainless steel 1.4305
Metallic inner parts	Brass and Stainless steel
Sealing	FKM and PTFE
Supply voltage	AC~ 230V DC= 24V <small>Other supply voltages on request</small>
Voltage tolerance	-10% / +10%
Power consumption	see table on page 2
Protection class	IP65 acc. to DIN 60529
Duty factor	100% ED-VDE 0580
Connection type	Plug

VALVE FEATURES

- No pressure difference required
- High life time
- Simple compact valve design
- Reliable and sturdy sealing elements
- Long-term availability of spare parts

FUNCTION

NC – non pressurized closed NO – non-pressurized open

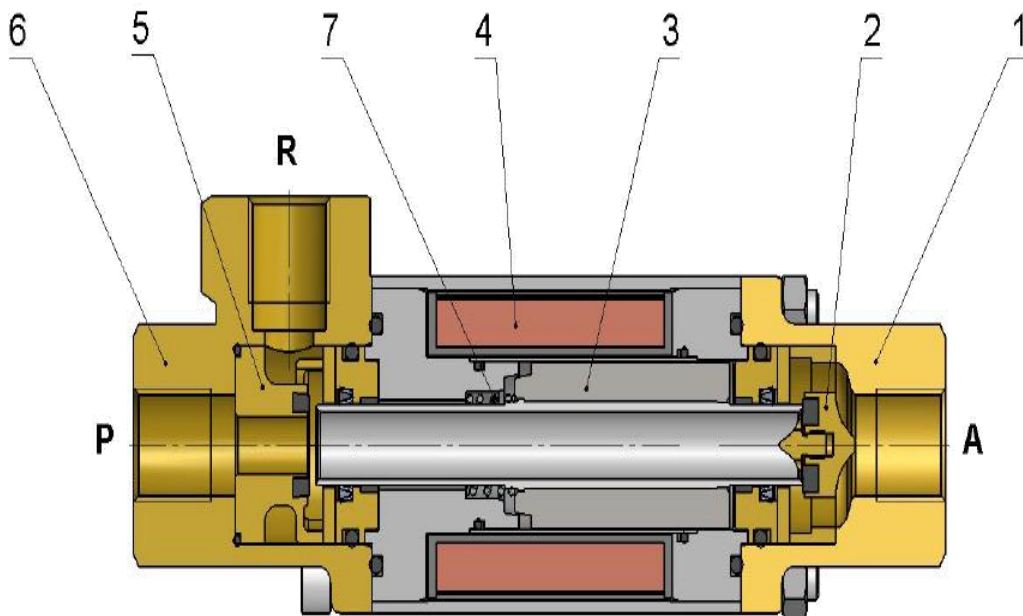


ORDERING SYSTEM

Type	Connect.	Housing	Seal	Actuator
3 / 9 1 8	- 2 3	- 1 0 0 2	-	R 3 7 0
	22 G 3/8 23 G 1/2 24 G 3/4 25 G 1 26 G 1 1/4 27 G 1 1/2 28 G 2	06 Stainless steel 1.4305 10 Brass 2.0401	02 FKM	

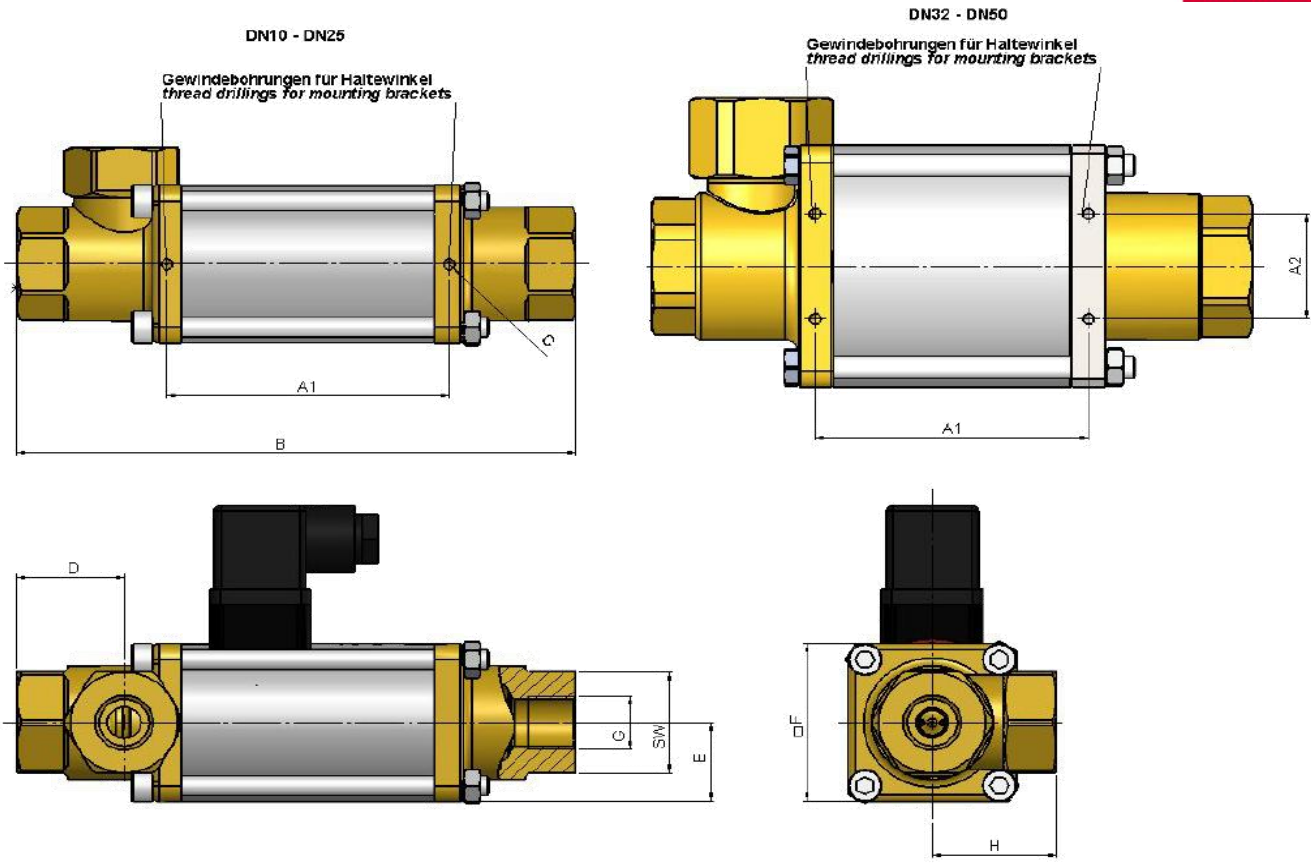
TECHNICAL FEATURES

G	Seat Ø mm	Kv-value m³/h	Standard type	Actuator	Actuator	Consumption [Watt]	
				R370	R371	24 VDC	230 V 50/60Hz
3/8	15	5,6	3/918-22-..02-	max. pressure [bar]	max. pressure [bar]	40 / 50	45 / 55
1/2	15	5,6	3/918-23-..02-	0-40	0-64	40 / 50	45 / 55
3/4	20	8,0	3/918-24-..02-	0-40	0-64	45 / 53	53 / 59
1	25	11,5	3/918-25-..02-	0-40	0-64	60 / 77	68 / 85
1 1/4	32	17,9	3/918-26-..02-	0-40	0-64	73 / 73	76 / 76
1 1/2	40	41,5	3/918-27-..02-	0-16	-	73 / -	90 / -
2	50	43,0	3/918-28-..02-	0-16	-	73 / -	90 / -



Pos.	Part
1	2/2-way connection
2	2/2-way seat
3	Plunger
4	Solenoid coil
5	3/2-way seat
6	3/2-way connection
7	Spring

DIMENSIONS



Type	3/918-22	3/918-23	3/918-24	3/918-25	3/918-26	3/918-27	3/918-28
G	3/8	1/2	3/4	1	1 1/4	1 1/2	2
SW	41	41	46	55	60	75	75
A1	100	100	108	121	122	131	131
A2	-	-	-	-	50	60	60
B	200	200	228	252	269	304	304
C	M5	M5	M5	M5	M6	M6	M6
D	38,5	38,5	45,5	48	49,5	56,5	56,5
E	35	35	40	45	57,5	65	65
F	70	70	80	90	115	130	130
H	60	60	72	80	80	84	84

INFORMATION

- It is imperative to observe the installation and safety instructions in our operating and service manuals.
- For information on our GSR ordering code, please refer to our catalogs. If you have any questions, we will be glad to assist you.
- Required ordering information: valve type, function NC/NO, pressure range, connection, nominal width, medium, flow rate, medium and ambient temperatures, connection voltage.
- **Detailed production-specific drawings and other technical information will be made available when an order is placed**

PLEASE NOTE

Each individual application decides which valve type is required, the main factor being the resistance of the materials to the operating medium. The correct selection of materials requires knowledge of the concentration, temperature and degree of contamination of the medium. Other criteria include the operating pressure and max. volumetric flow, since , in addition to high temperatures , high pressures and high flow rates must also be taken into account when selecting the materials.

All materials used for our valves, be it housing, seals or magnets, will be carefully selected in view of the different application areas. Any information given is non-binding and serves for orientation only. No claims under warranty can be derived therefrom.

- The GSR logo is a registered trademark of GSR Ventiltechnik GmbH & Co. KG.
- Original products may differ from the product images shown, due to different materials and the like.
- Subject to error and changes.

Stand: 09.19, MK-MG, Version 1.